

PRIMA OPH

OPHTHALMIC SURGERY



GIVING SURGEONS THE GIFT OF LIGHT



With increasing demands on ophthalmic surgeons to provide better and more affordable care, they must be empowered with instruments that perform with ultimate precision. The Prima OPH is the first in a new class of microscopes designed for doctors with a focus on better and more affordable eye care.

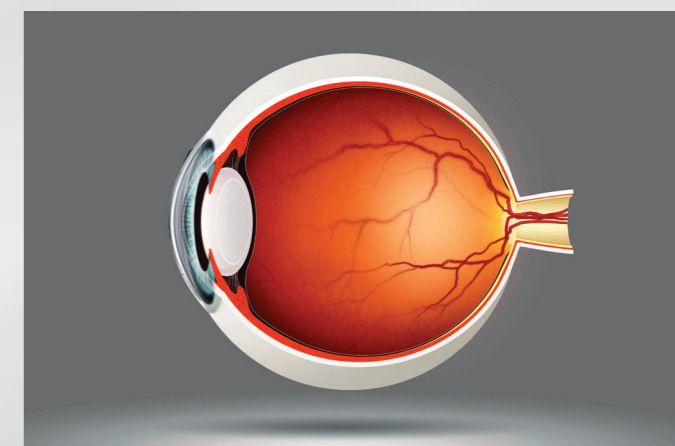
With LABOMED's proprietary *MaxLite™* coated optics, superb images with true-to-life rendition and glare-free view are guaranteed. A sturdy, balanced stand and a host of ergonomic design features deliver ultimate user convenience.

ULTRA BRIGHT LED + LONG-LASTING BULB = DELIGHT

1 The ability to visualize the eye through bright even illumination, coupled with apochromatic optics and ergonomic stand, Prima OPH makes an ideal ophthalmology solution.



2 Red reflex is made possible in the Prima OPH thanks to an ingenious optical design enabling visualization of an illuminated retina for easy detection of ruptured vessels, arteries, and damage to the optic disc.



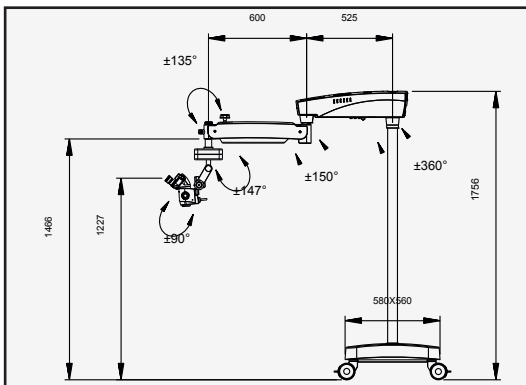
3 LABOMED developed the *ProLine™* of adapters for digital SLRs and video cameras, enabling convenient digital documentation and liveviewing. The *iV* series is available to doctors who want a camera that does it all: live HD streaming, image/video capture, and imaging software. For assistant viewing, the LABOMED assistoscope is available with an ergonomic position and light-weight construction for a well-balanced system.



PRIMA OPH

| | PRIMA OPH X-Y & Z AXIS | PRIMA OPH Z AXIS |
|---------------------------|--|--|
| Binocular tubes | 0-210° tiltable ergonomic head | 0-210° tiltable ergonomic head |
| Eyepieces | WF 10X/16 mm with eye guards, diopter adjustment ± 5 mm and diopter lock | WF 10X/16 mm with eye guards, diopter adjustment ± 5 mm and diopter lock |
| | Optional: WF 12.5X/16 mm | Optional: WF 12.5X/16mm |
| Apochromatic magnichanger | 5 step: 0.4X, 0.6X, 1.0X, 1.6X, 2.5X | 5 step: 0.4X, 0.6X, 1.0X, 1.6X, 2.5X |
| Objective | f=200 mm | f=200mm |
| | Optional: f=175mm | Optional: f=175mm |
| Fine focus | Range 40 mm, motorized | Range 40 mm, motorized |
| Light source | 50W LED, 100-240 V, 50-60 Hz | 50W LED, 100-240 V, 50-60 Hz |
| Built-in-filters | Green and Blue | Green and Blue |
| Vertical movement of arm | 550 mm | 550 mm |
| Microscope carriers | Co-axial 3 position foot control | Single position foot control |
| Optional Accessories | 45° inclined head: IPD 55-75 mm | 45° inclined head: IPD 55-75 mm |
| | Double beam splitter | Double beam splitter |
| | Assistant binocular attachment | Assistant binocular attachment |
| | ProLine range of camera adapters | ProLine range of camera adapters |
| | iVu S5 5MP integrated digital | iVu S5 5MP integrated digital |

SPECIFICATIONS



| DESCRIPTION | CONFIGURATION | CATALOG. NO. |
|-------------|--|--------------|
| Prima OPH | Basic, motorized fine focus | 6136000-000 |
| Prima OPH | Motorized fine focus and X-Y coupling | 6135000-000 |



Labo America, Inc.
920 Auburn Court
Fremont, CA 94538

Tel: (510) 445-1257
Fax: (510) 445-1317
E-mail: sales@laboamerica.com

www.laboamerica.com



LABOMED®

Distributor

6135000-796 1.0 Aug 13
© Labo America, Inc. All rights reserved